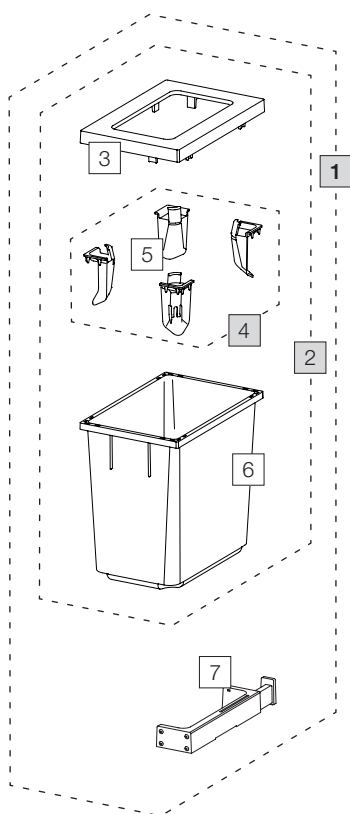


Waste separation container X40 M17

Art. No. 80.51.001

System for pre-existing rails



Art. No.	Name	CHF VAT excluded
1	80.51.001 Waste separation container X40 M17	114.00
2	12749 Container 20 liter, complet	74.00
3	12248 Covering frame 20 liter	18.10
4	12253 Bag tightener big (4 pcs.)	20.20
5	12722 Bag tightener big	5.00
6	12246 Container 20 liter	35.70
7	12626 C-Ratchet, complet	43.60

- Set
- Component parts