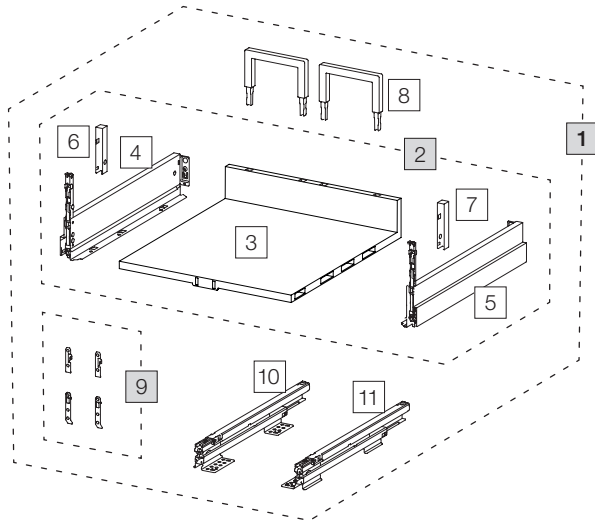


# Pre-assembled drawer 50 Pro

Art. No. 80.61.201

## Waste separation system with frame guide system



Art. No.	Name	CHF VAT excluded
<b>1</b>	<b>80.61.201 Pre-assembled drawer 50 Pro</b>	<b>149.00</b>
2	13610 Pull-out floor 50 Pro	104.60
3	13293 Plastic base 50	36.00
4	13302 Nova Pro Scala frame left	32.20
5	13303 Nova Pro Scala frame right	32.20
6	13298 Cover, left	2.10
7	13299 Cover, right	2.10
8	13297 Rear wall bracket 125	3.90
9	13532 Front bracket complete	3.90
10	13300 Floor rail for Nova Pro left	43.30
11	13301 Floor rail for Nova Pro right	43.30

Set

Component parts