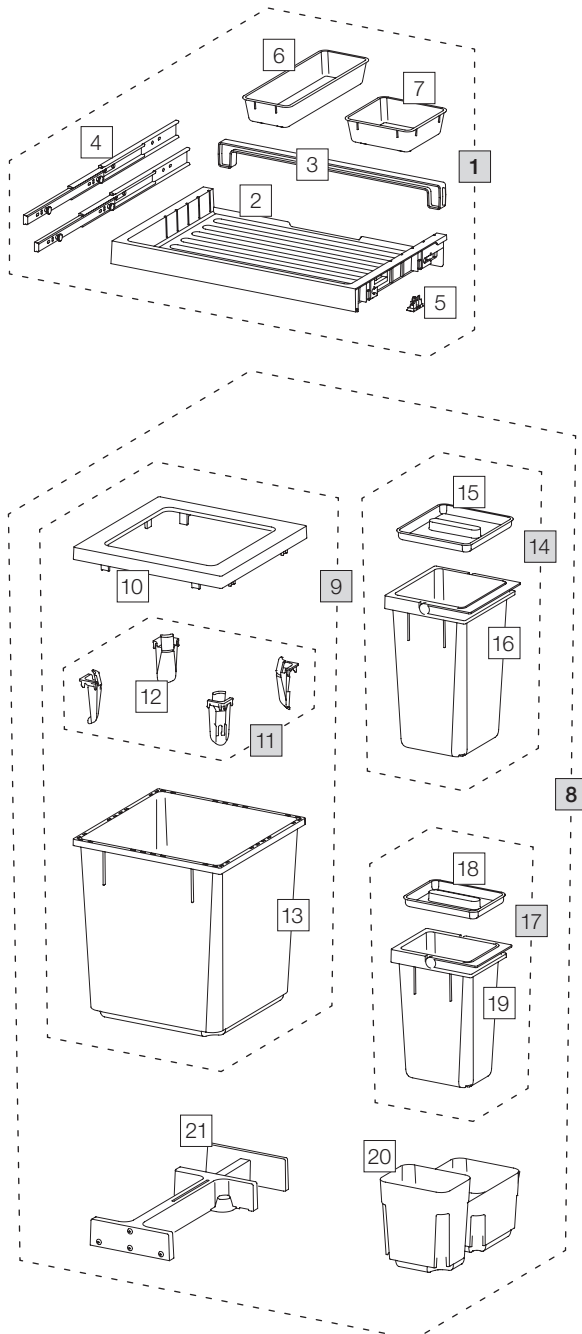


# X60 L5 Premium

Art. No. 80.50.402

## Waste separation system for pre-existing rails



| Art. No. | Name   | CHF VAT excluded |
|----------|--|------------------|
| <b>1</b> | <b>80.42.401 Drawer 60 Premium</b>                 | <b>77.00</b>     |
| 2        | 12274 Drawer 60 Premium                            | 33.00            |
| 3        | 12278 Back 60                                      | 6.80             |
| 4        | 12283 Rail with bolt (pair)                        | 22.00            |
| 5        | 12948 Clip 18/19 (4 pcs.)                          | 4.70             |
| 6        | 12483 Add-on tray long                             | 10.40            |
| 7        | 12282 Add-on tray                                  | 8.30             |
| <b>8</b> | <b>80.51.401 Waste separation container X60 L5</b> | <b>188.00</b>    |
| 9        | 12682 Container 40 liter, complet                  | 93.20            |
| 10       | 12247 Covering frame                               | 19.30            |
| 11       | 12252 Bag tightener (4 pcs.)                       | 18.30            |
| 12       | 12721 Bag tightener                                | 4.60             |
| 13       | 12244 Container 40 liter                           | 58.30            |
| 14       | 12940 Container 8 liter, complet                   | 30.10            |
| 15       | 12271 Lid 8 liter                                  | 6.60             |
| 16       | 12440 Container 8 liter with handle                | 23.60            |
| 17       | 12941 Container 5 liter, complet                   | 25.10            |
| 18       | 12272 Lid 5 liter                                  | 4.70             |
| 19       | 12441 Container 5 liter with handle                | 20.50            |
| 20       | 12254 Shell 600, L                                 | 22.00            |
| 21       | 12625 Ratchet, complet                             | 44.20            |

- Set
- Component parts