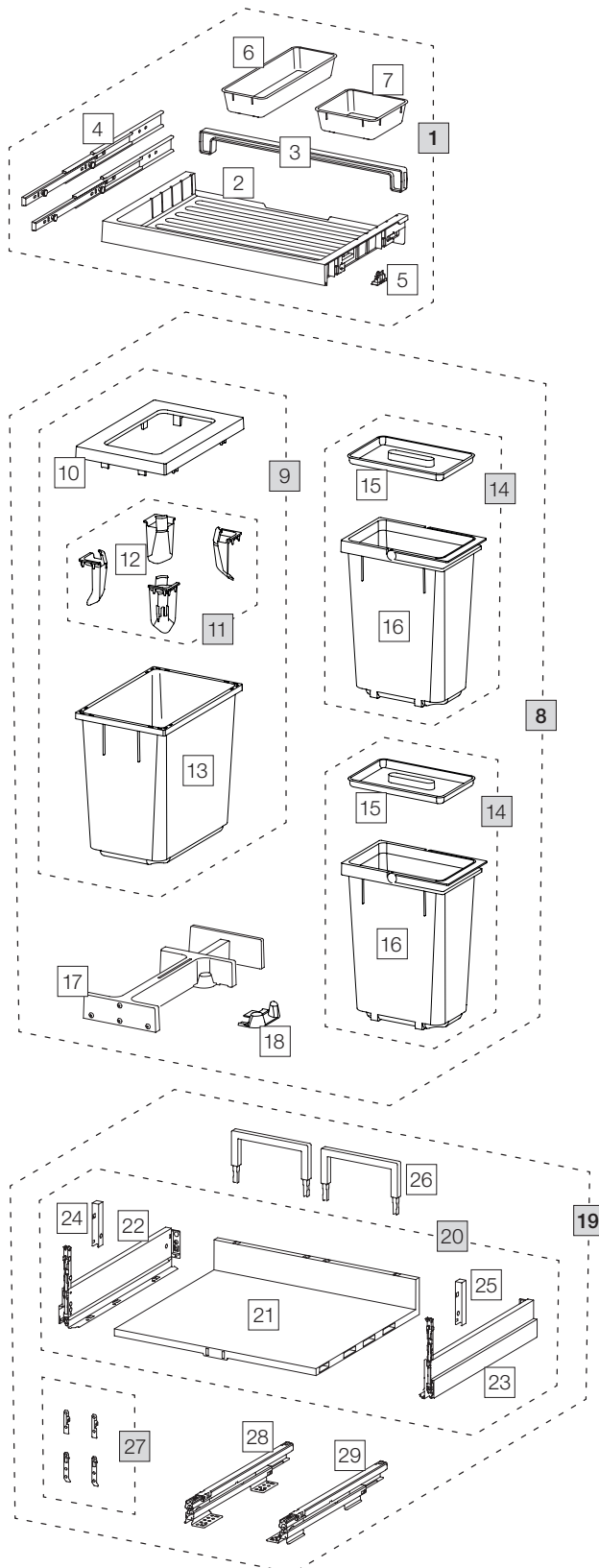


X60 M17 Premium Pro

Art. No. 80.60.410

Waste separation system with frame guide system



Art. No.	Name	CHF VAT excluded
1	80.42.401 Drawer 60 Premium	81.00
2	12274 Drawer 60 Premium	34.60
3	12278 Back 60	7.10
4	12283 Rail with bolt (pair)	23.10
5	12948 Clip 18/19 (4 pcs.)	4.90
6	12483 Add-on tray long	10.90
7	12282 Add-on tray	8.70
8	80.51.305 Waste separation container X55 M17	160.00
9	12749 Container 20 liter, complet	77.70
10	12248 Covering frame 20 liter	19.00
11	12253 Bag tightener big (4 pcs.)	21.20
12	12722 Bag tightener big	5.30
13	12246 Container 20 liter	37.50
14	13016 Container 10 liter, complet	34.50
15	12303 Lid 7/10/12 liter	8.80
16	12447 Container 10 liter with handle	25.70
17	12625 Ratchet, complet	46.40
18	12264 Additional knobs	4.90
19	80.61.401 Pre-assembled drawer 60 Pro	165.00
20	13608 Pull-out floor 60 Pro	108.40
21	13290 Plastic base 60	39.80
22	13302 Nova Pro Scala frame left	32.20
23	13303 Nova Pro Scala frame right	32.20
24	13298 Cover, left	2.10
25	13299 Cover, right	2.10
26	13295 Rear wall bracket 175	4.30
27	13532 Front bracket complete	3.90
28	13300 Floor rail for Nova Pro left	43.30
29	13301 Floor rail for Nova Pro right	43.30

- Set
- Component parts

MÜLLEX

A. & J. Stöckli AG · Ennetbachstrasse 40 · CH-8754 Netstal
+41 55 645 55 80 · info@muellex.ch · muellex.ch