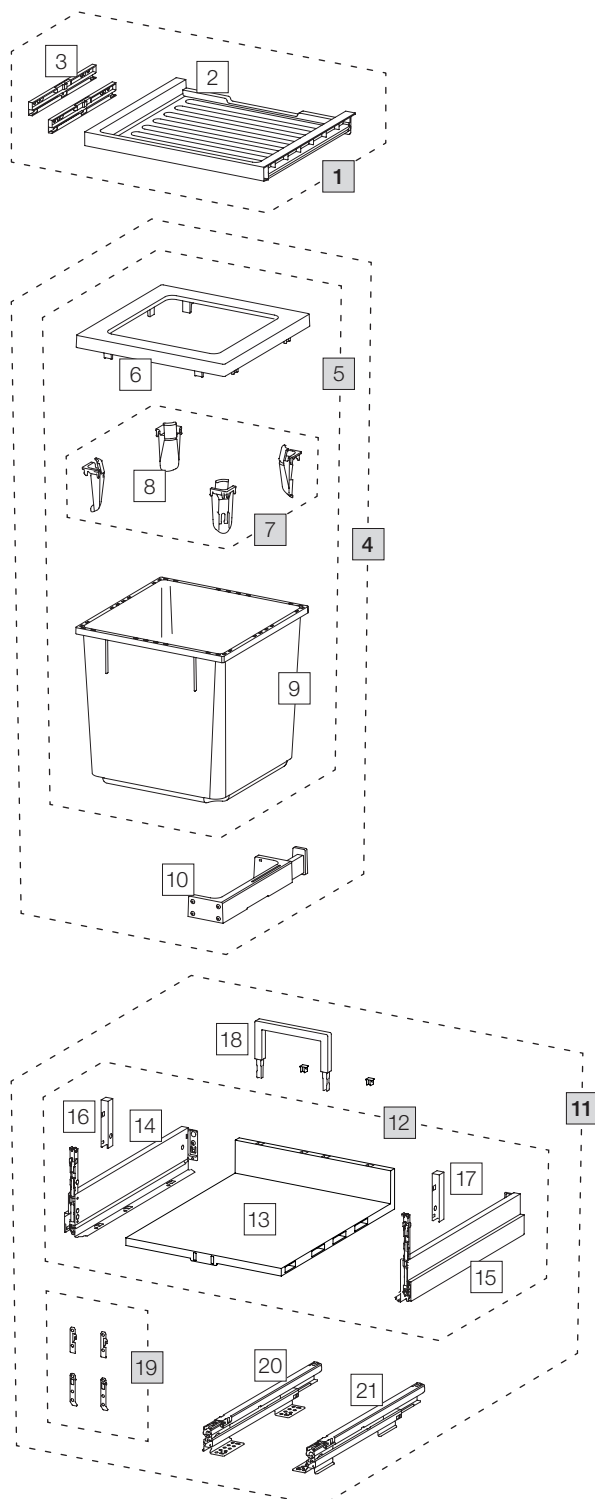


X45 M35 Basic Pro

Art. No. 80.60.103

Waste separation system with frame guide system



	Art. No.	Name	CHF VAT excluded
1	80.41.101	Drawer 45 Basic	35.00
2	12288	Drawer 45 Basic	28.90
3	13011	Adapter drawer (pair)	10.40
4	80.51.102	Waste separation container X45 M35	144.00
5	12683	Container 35 liter, complet	97.90
6	12247	Covering frame	20.30
7	12252	Bag tightener (4 pcs.)	19.20
8	12721	Bag tightener	4.80
9	12245	Container 35 liter	61.20
10	12626	C-Ratchet, complet	45.80
11	80.61.101	Pre-assembled drawer 45 Pro	149.00
12	13611	Pull-out floor 45 Pro	102.70
13	13293	Plastic base 45	34.10
14	13302	Nova Pro Scala frame left	32.20
15	13303	Nova Pro Scala frame right	32.20
16	13298	Cover, left	2.10
17	13299	Cover, right	2.10
18	13296	Rear wall bracket 150	4.10
19	13532	Front bracket complete	3.90
20	13300	Floor rail for Nova Pro left	43.30
21	13301	Floor rail for Nova Pro right	43.30

Set
 Component parts