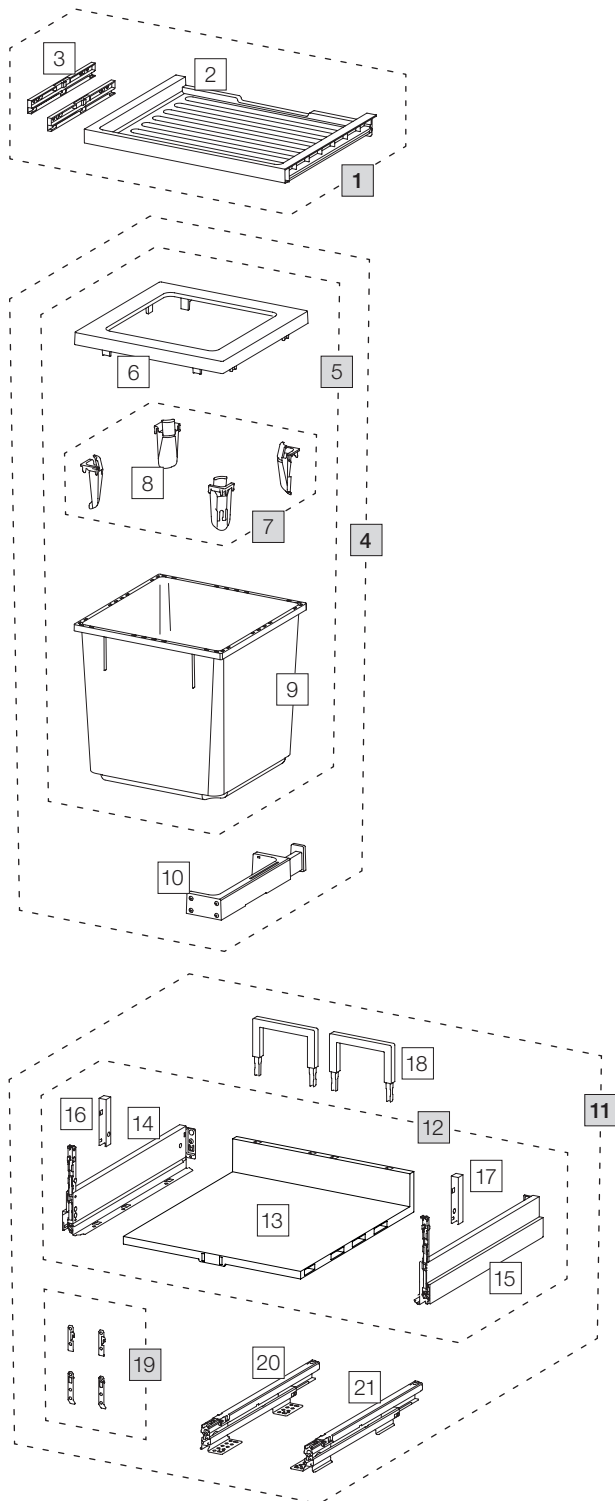


# X50 M35 Basic Pro

Art. No. 80.60.203

## Waste separation system with frame guide system



	Art. No.	Name	CHF VAT excluded
<b>1</b>	<b>80.41.201</b>	<b>Drawer 50 Basic</b>	<b>35.00</b>
2	12287	Drawer 50 Basic	28.90
3	13011	Adapter drawer (pair)	10.40
<b>4</b>	<b>80.51.102</b>	<b>Waste separation container X45 M35</b>	<b>144.00</b>
5	12683	Container 35 liter, complet	97.90
6	12247	Covering frame	20.30
7	12252	Bag tightener (4 pcs.)	19.20
8	12721	Bag tightener	4.80
9	12245	Container 35 liter	61.20
10	12626	C-Ratchet, complet	45.80
<b>11</b>	<b>80.61.201</b>	<b>Pre-assembled drawer 50 Pro</b>	<b>149.00</b>
12	13610	Pull-out floor 50 Pro	104.60
13	13293	Plastic base 50	36.00
14	13302	Nova Pro Scala frame left	32.20
15	13303	Nova Pro Scala frame right	32.20
16	13298	Cover, left	2.10
17	13299	Cover, right	2.10
18	13297	Rear wall bracket 125	3.90
19	13532	Front bracket complete	3.90
20	13300	Floor rail for Nova Pro left	43.30
21	13301	Floor rail for Nova Pro right	43.30

Set  
 Component parts