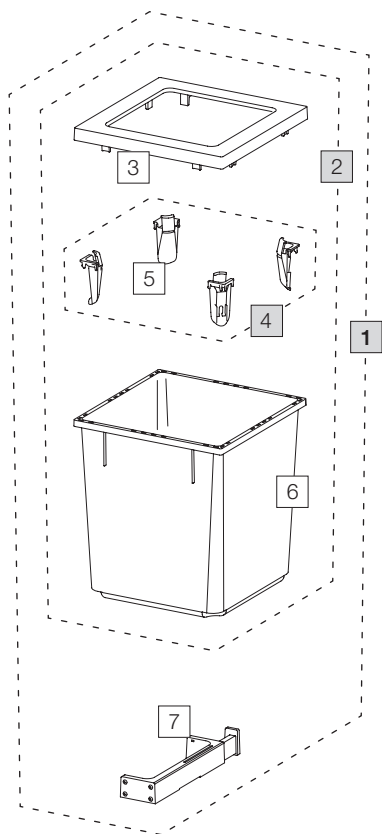


# Waste separation container X45 L35

Art. No. 80.51.101

System for pre-existing rails



Art. No.	Name	CHF VAT excluded
<b>1</b>	<b>80.51.101 Waste separation container X45 L35</b>	<b>137.00</b>
2	12682 Container 40 liter, complet	93.20
3	12247 Covering frame	19.30
4	12252 Bag tightener (4 pcs.)	18.30
5	12721 Bag tightener	4.60
6	12244 Container 40 liter	58.30
7	12626 C-Ratchet, complet	43.60

■ Set

□ Component parts