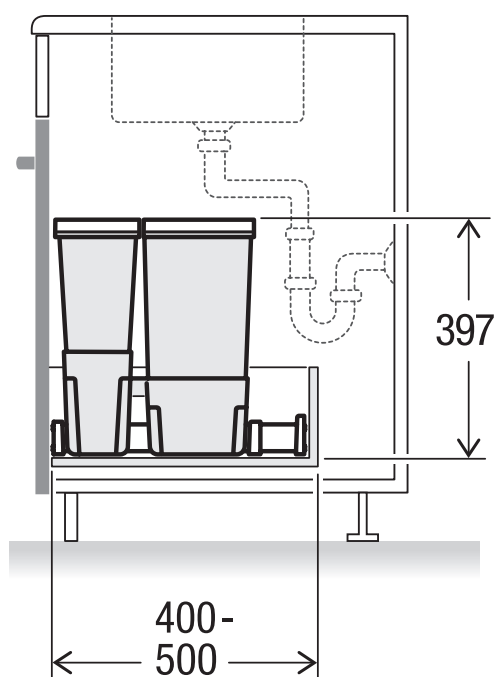
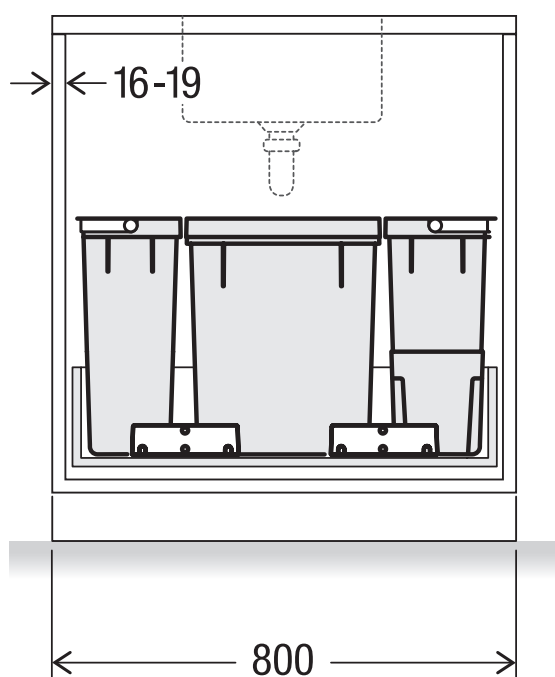
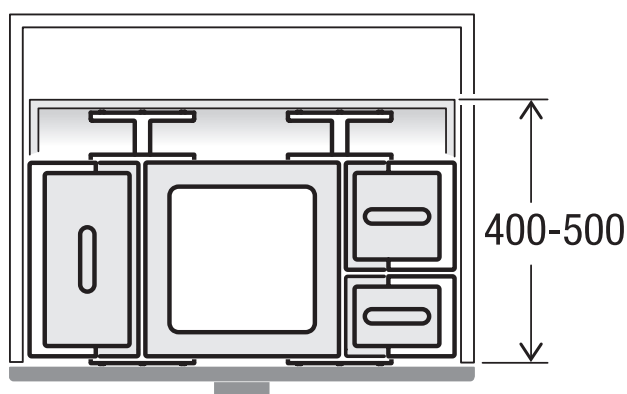


Waste separation container X80 L6

Art. No. 80.51.501

System for pre-existing rails



MÜLLEX

A. & J. Stöckli AG · Ennetbachstrasse 40 · CH-8754 Netstal
+41 55 645 55 80 · info@muellex.ch · muellex.ch

80.51.501 / Msk 01 EN