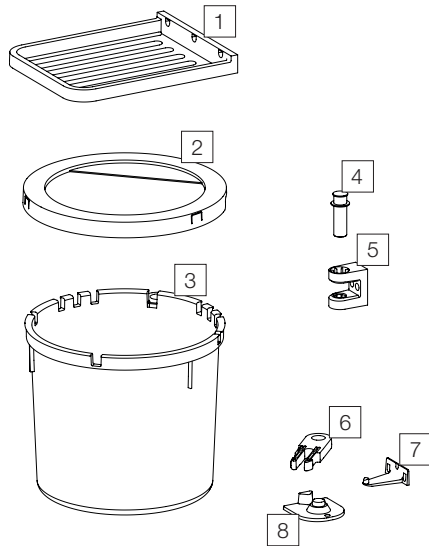


D50 M1

Art. No. 80.71.102

Waste system for hinged doors



Art. No.	Name	CHF VAT excluded
1	12500 Lid	23.40
2	12499 Covering frame D50 L1/M1	17.40
3	12543 Rotating container 30 liters	44.20
4	12504 Bolt	4.10
5	12502 Holder on top	7.20
6	12503 Holder on bottom	6.20
7	12505 Capturing hook	6.10
8	12501 Carrier	6.30

Component parts