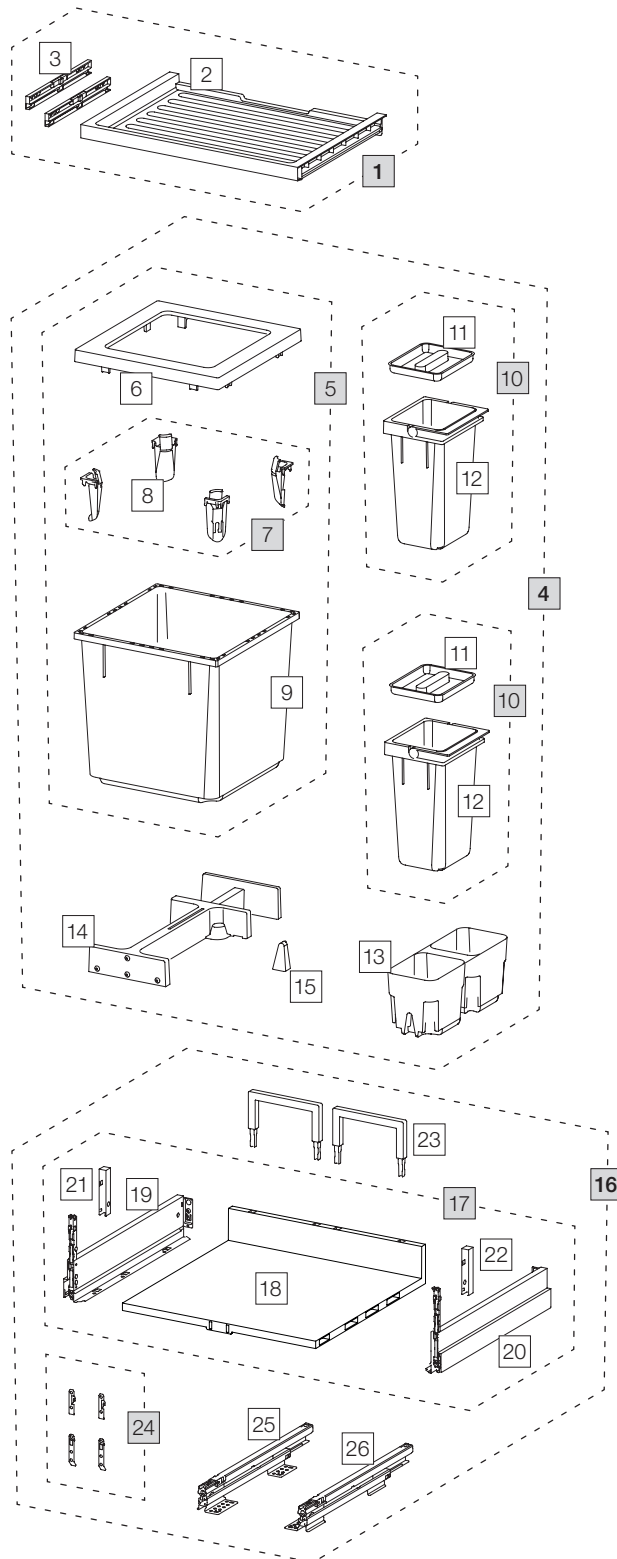


X55 M5 Basic Pro

Art. No. 80.60.303

Waste separation system with frame guide system



Art. No.	Name	CHF VAT excluded
1	80.41.301 Drawer 55 Basic	35.00
2	12286 Drawer 55 Basic	28.90
3	13011 Adapter drawer (pair)	10.40
4	80.51.302 Waste separation container X55 M5	197.00
5	12683 Container 35 liter, complet	97.90
6	12247 Covering frame	20.30
7	12252 Bag tightener (4 pcs.)	19.20
8	12721 Bag tightener	4.80
9	12245 Container 35 liter	61.20
10	12942 Container 4 liter, complet	25.60
11	12273 Lid 4 liter	4.40
12	12442 Container 4 liter with handle	21.20
13	12257 Shell 550, M	21.30
14	12625 Ratchet, complet	46.40
15	12260 Wedge	2.20
16	80.61.301 Pre-assembled drawer 55 Pro	165.00
17	13609 Pull-out floor 55 Pro	106.50
18	13291 Plastic base 55	37.90
19	13302 Nova Pro Scala frame left	32.20
20	13303 Nova Pro Scala frame right	32.20
21	13298 Cover, left	2.10
22	13299 Cover, right	2.10
23	13296 Rear wall bracket 150	4.10
24	13532 Front bracket complete	3.90
25	13300 Floor rail for Nova Pro left	43.30
26	13301 Floor rail for Nova Pro right	43.30

- Set
- Component parts