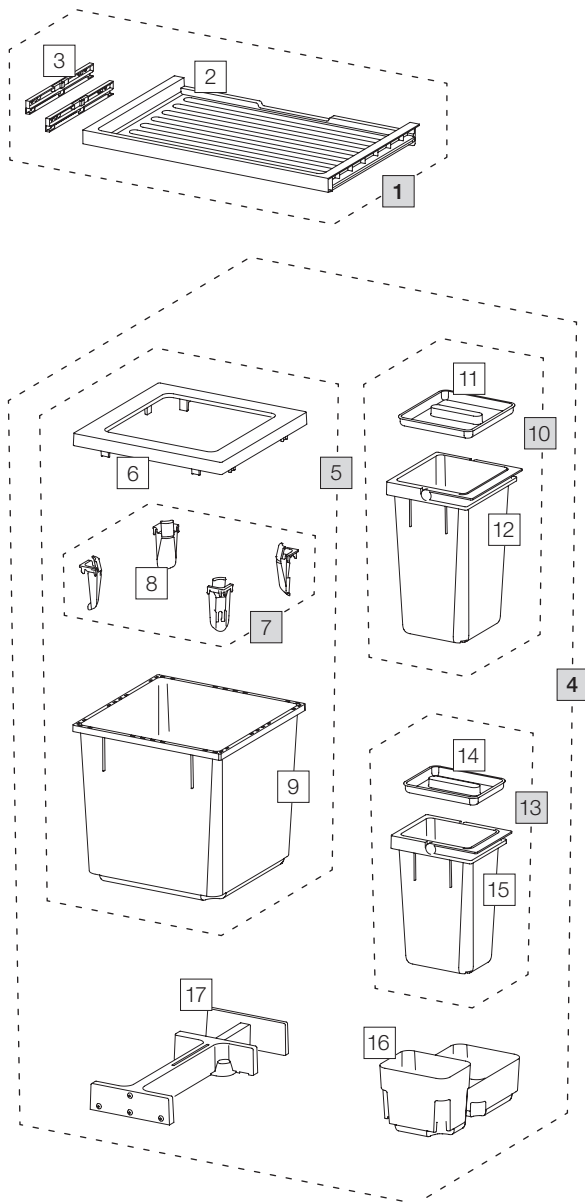


# X60 M5 Basic

Art. No. 80.50.403

Waste separation system for pre-existing rails



| Art. No. | Name   | CHF VAT excluded |
|----------|--|------------------|
| <b>1</b> | <b>80.41.401 Drawer 60 Basic</b>                   | <b>33.00</b>     |
| 2        | 12285 Drawer 60 Basic                              | 27.50            |
| 3        | 13011 Adapter drawer (pair)                        | 9.90             |
| <b>4</b> | <b>80.51.402 Waste separation container X60 M5</b> | <b>188.00</b>    |
| 5        | 12683 Container 35 liter, complet                  | 93.20            |
| 6        | 12247 Covering frame                               | 19.30            |
| 7        | 12252 Bag tightener (4 pcs.)                       | 18.30            |
| 8        | 12721 Bag tightener                                | 4.60             |
| 9        | 12245 Container 35 liter                           | 58.30            |
| 10       | 12940 Container 8 liter, complet                   | 30.10            |
| 11       | 12271 Lid 8 liter                                  | 6.60             |
| 12       | 12440 Container 8 liter with handle                | 23.60            |
| 13       | 12941 Container 5 liter, complet                   | 25.10            |
| 14       | 12272 Lid 5 liter                                  | 4.70             |
| 15       | 12441 Container 5 liter with handle                | 20.50            |
| 16       | 12255 Shell 600, M                                 | 21.40            |
| 17       | 12625 Ratchet, complet                             | 44.20            |

- Set
- Component parts