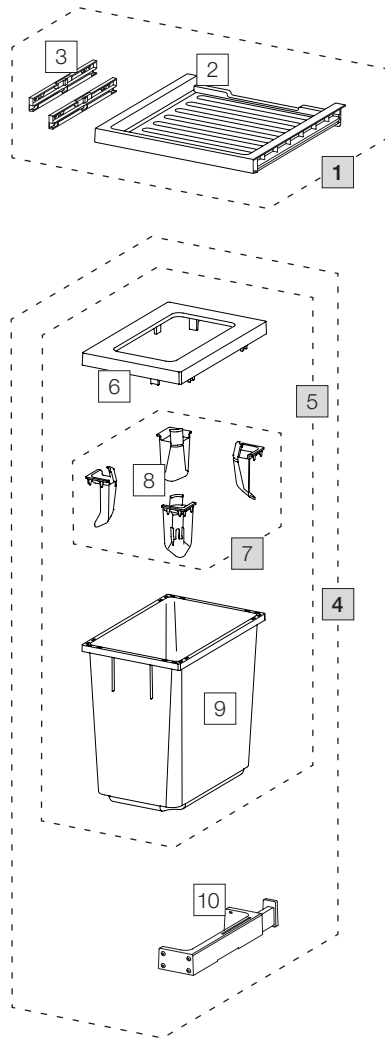


X40 M17 Basic

Art. No. 80.50.001

Waste separation system for pre-existing rails



	Art. No.	Name	CHF VAT excluded
1	80.42.001	Drawer 40 Basic	33.00
2	12459	Drawer 40 Basic	27.50
3	13011	Adapter drawer (pair)	9.90
4	80.51.001	Waste separation container X40 M17	114.00
5	12749	Container 20 liter, complet	74.00
6	12248	Covering frame 20 liter	18.10
7	12253	Bag tightener big (4 pcs.)	20.20
8	12722	Bag tightener big	5.00
9	12246	Container 20 liter	35.70
10	12626	C-Ratchet, complet	43.60

Set

Component parts